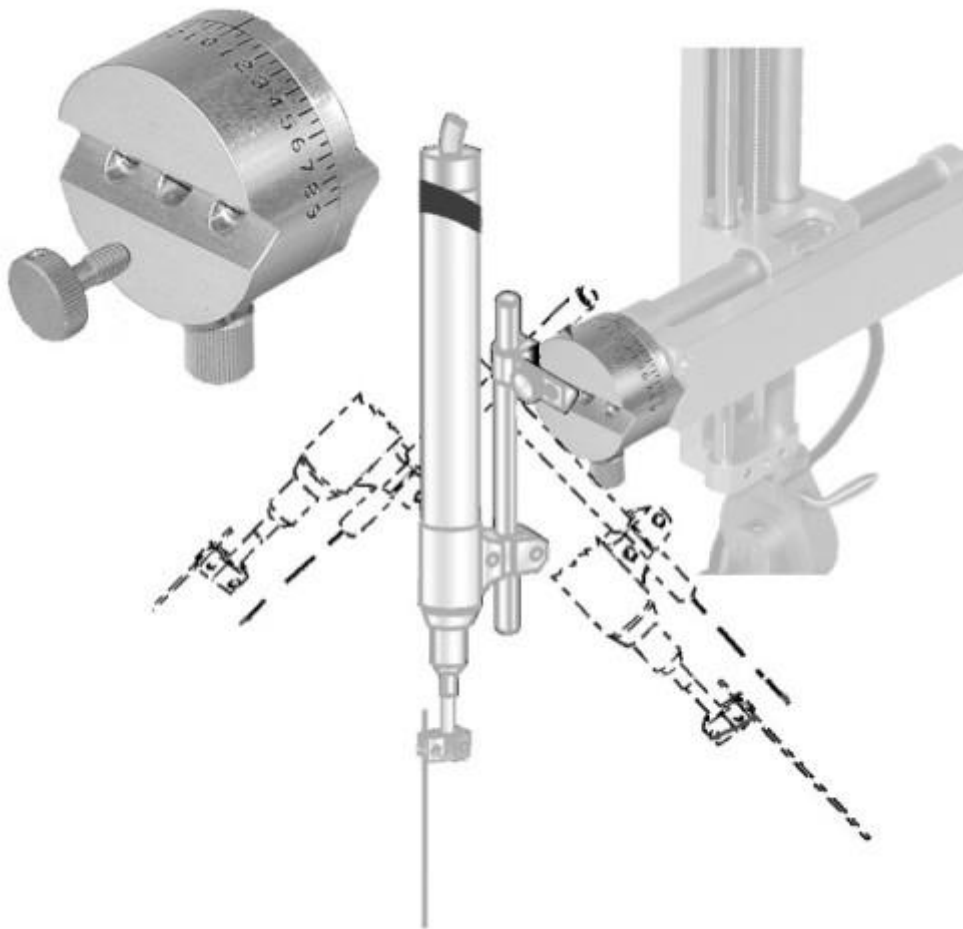


Model 1460-G Rotation Adapter

Model 1460-G Rotation Adapter allows a third rotation axis with up to 180° of rotation to be added to any Kopf manipulator / micropositioner stereotaxic set up.

All Kopf manipulators have been designed to give maximum versatility with regards to movement and positioning. With our Model 1460-G Rotation Adapter and Kopf micropositioner you can obtain a third rotation axis for achieving specific angles required.

Designed for use with all Kopf **automated** micropositioners (Model 640, 650, 2650, 660, 2660, 662 and 2662)



Europe

Tel: +49 (0) 211 364 043

E-Mail: bilaney@bilaney.de

UK and Republic of Ireland

Tel: +44 (0)1732 450002

E-Mail: sales@bilaney.co.uk